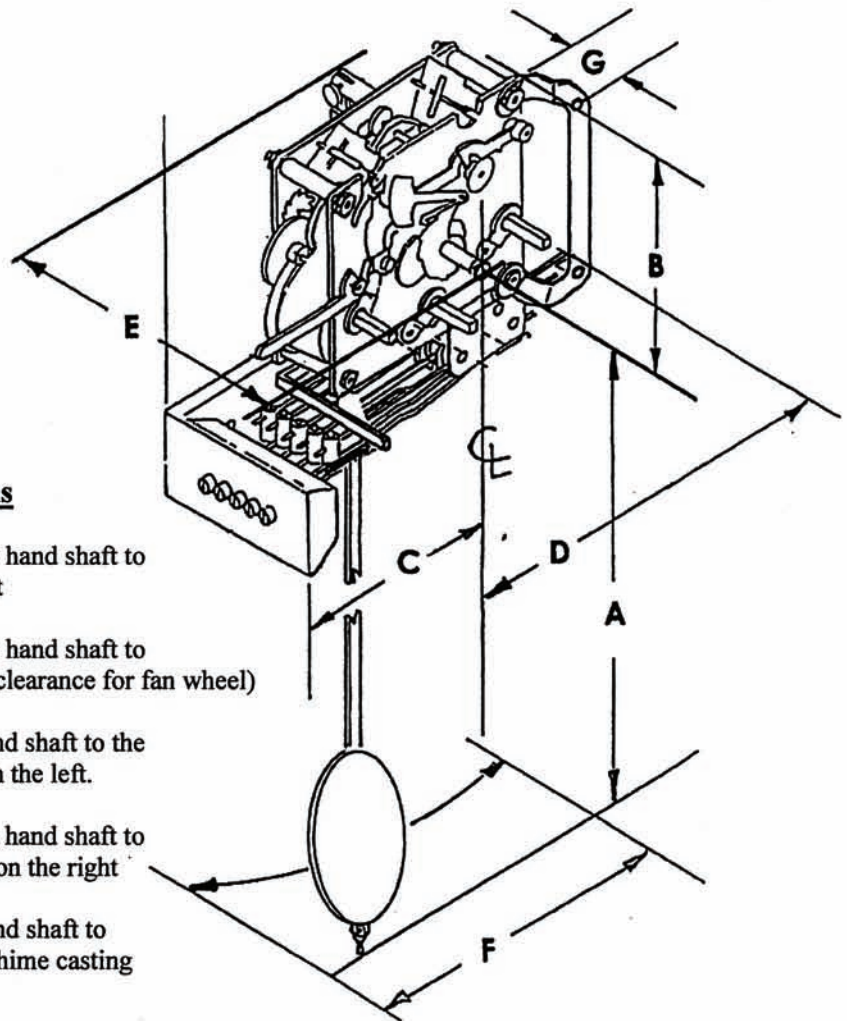


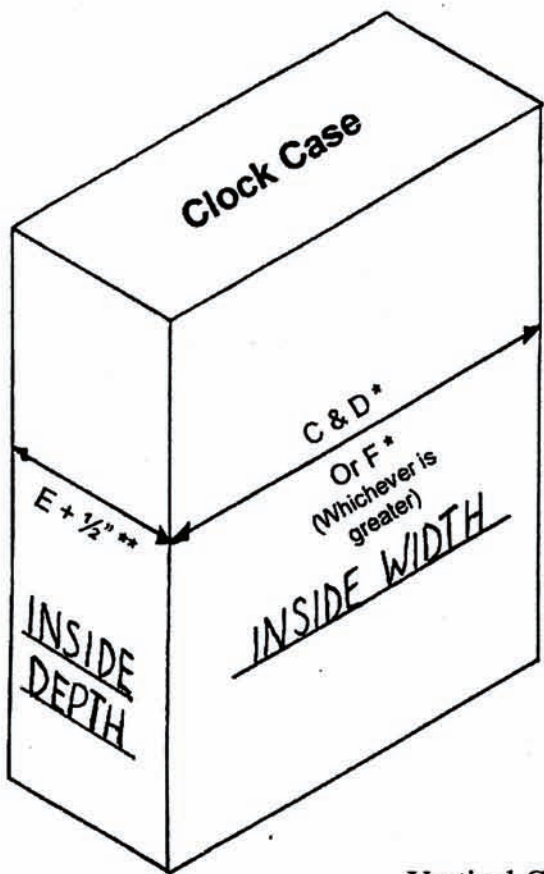
KLOCKIT

Mechanical Clock Movement Dimensional Specifications

HERMLE – Westminster Chime, Pendulum Movement
 Klockit Stock Number: 13095
 Hermle Designation: 351-021
 Calibration: 26.5 cm



<u>Dimensions</u>	<u>Explanation of Dimensions</u>
A = 8"	Dimension from the center of the hand shaft to the tip of the pendulum rating nut
B = 2-3/4"	Dimension from the center of the hand shaft to the top of movement (to include clearance for fan wheel)
C = 4-1/2"	Dimension from the center of hand shaft to the end of the chime casting block on the left.
D = 4-1/8"	Dimension from the center of the hand shaft to the end of the longest chime rod on the right
E = 4-1/16"	Dimension from the tip of the hand shaft to the back (mount) surface of the chime casting
F = 4-1/2"	Pendulum Swing
G = 5/16"	Dimension from the front surface to the backside surface of the mounting brackets



Please refer to the dimensions on the opposite side of this sheet in order to understand the recommended minimum "inside" clock case dimensions.

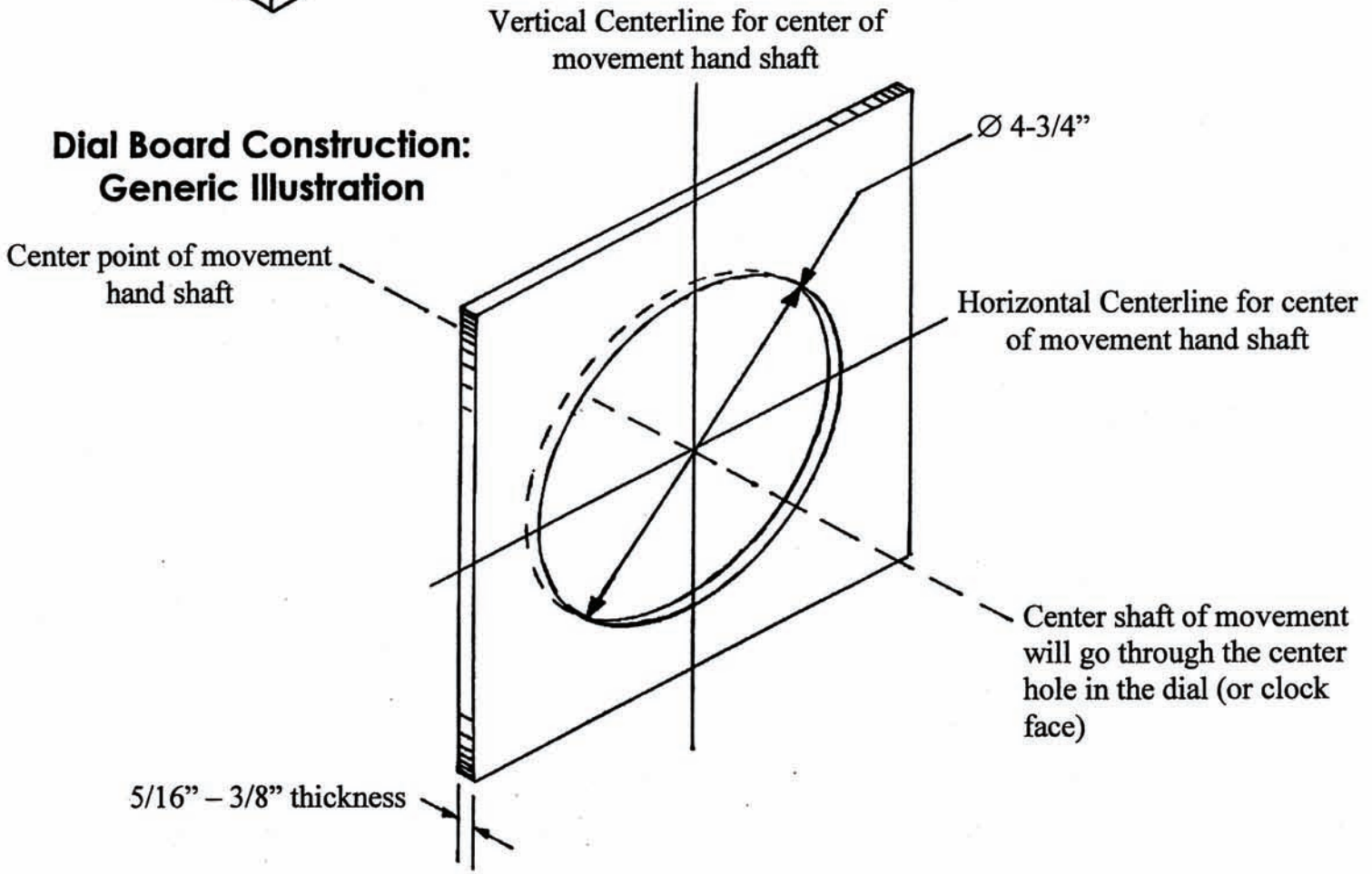


Inside Height

(*) – Please note that dial size will affect the required inside length and width of the clock cabinet.

(**) – **IMPORTANT:** The 1/2" excess is to allow proper clearance between the hands and glass.

Dial Board Construction: Generic Illustration



Center point of movement hand shaft

Horizontal Centerline for center of movement hand shaft

Center shaft of movement will go through the center hole in the dial (or clock face)

5/16" – 3/8" thickness